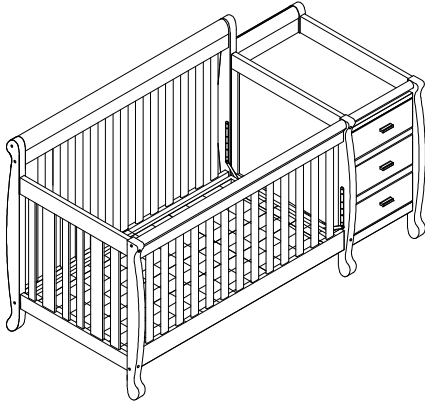




Kimberly Baby Crib

Model No.: C516/518
PO #:
Serial #:



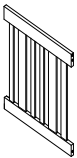


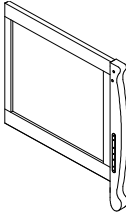

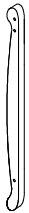
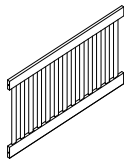
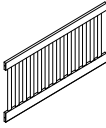
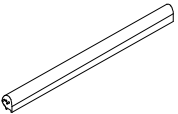
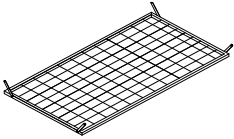
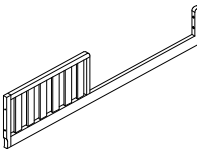
⚠️ WARNING: READ ALL WARNING & SAFETY INSTRUCTIONS BEFORE ASSEMBLING CRIB. KEEP INSTRUCTIONS FOR FUTURE USE.

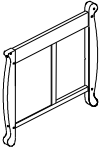








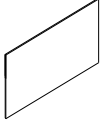
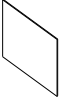
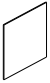
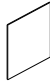
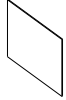
First remove hardware from box and sort by size. Check to see that all hardware and wooden pieces are present before assembling. Follow instructions listed below in the proper sequence as numbered to assure fast, easy and correct assembly.

⚠️ WARNING!

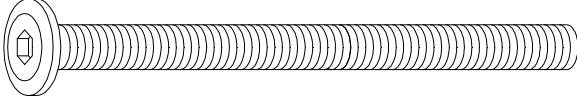
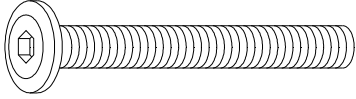
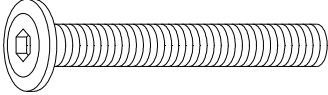
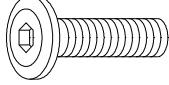
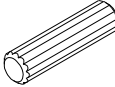

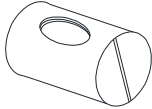
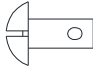
1. DO NOT attempt to repair or modify parts with cracks or defects. Please contact us for immediate replacement.
2. This product is for home use and is not intended for use in schools, day care centers or other commercial establishments.
3. Must be assembled by a capable adult.

♦ PARTS IDENTIFICATION (Do not assemble crib if parts are defective. Please contact AFG for exchange or keep the original box for return authorization.)

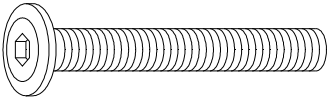
<p>A. Left Side Panel (1 pc)</p> 	<p>B. Rear Left Leg (1 pc)</p> 	<p>C. Front Left Leg (1 pc)</p> 	<p>D. Right Side Panel (1 pc)</p> 	<p>E. Rear Right Leg (1 pc)</p> 
<p>E1. Rear Right Leg (1 pc)</p> 		<p>G. Headboard (1 pc)</p> 	<p>H. Stationary Side (1 pc)</p> 	<p>I. Cross Bar (2 pcs)</p> 
<p>X. Mattress Support (1 pc)</p> 		<p>Y. Guard Rail (1 pc)</p> 		

<p>J. Drawer Right Side Panel (1 pc)</p> 	<p>K. Front Top Cross Bar (1 pc)</p> 	<p>L. Front Upper Cross Bar (1 pc)</p> 	<p>M. Middle Support Bar (2 pcs)</p> 	<p>N. Front Bottom Support Bar (1 pc)</p> 
<p>O. Back Top Cross Bar (1 pc)</p> 	<p>P. Back Upper Cross Bar (1 pc)</p> 	<p>Q. Back Bottom Support Bar (1 pc)</p> 	<p>R. Middle Bottom Support Bar (1 pc)</p> 	<p>S. Dresser Top (1 pc)</p> 
<p>T. Dresser Middle (1 pc)</p> 	<p>U. Shelf (1 pc)</p> 	<p>V. Shelf Bottom (1 pc)</p> 	<p>W. Dresser Back Panel (1 pc)</p> 	

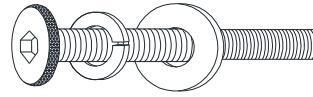
◆ **HARDWARE**

<p>1. Bolt 1/4" x 3-1/2" (6 pcs)</p> 		<p>2. Bolt 1/4" x 2" (14 pcs)</p> 	
<p>3. 6 mm x 1-3/4" (4 pcs)</p> 	<p>4. 6 mm x 3/4" (16 pcs)</p> 	<p>5. Dowel 8mm x 30 mm (34 pcs)</p> 	<p>6. Wrench (1 pc)</p> 
<p>9. Rubber Nut 1/4" x 15 mm (2 pcs)</p> 		<p>10. Rubber Nut 1/4" x 20 mm (10 pcs)</p> 	

11. Bolt 1/4" x 2-1/4" (4 pcs)



12. Bolt 1/4" x 2-1/2" (8 pcs)



◆ DRAWER PARTS