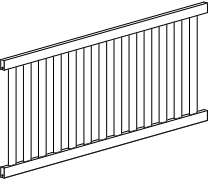

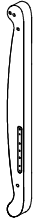
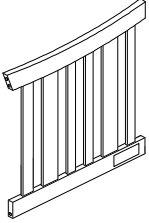
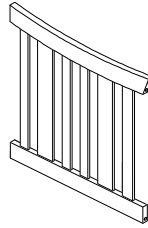


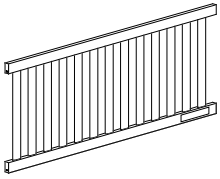
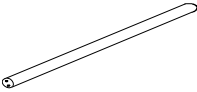
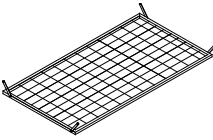
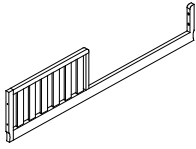


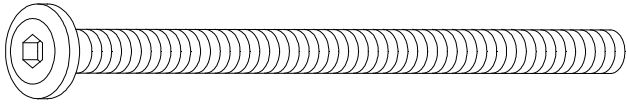
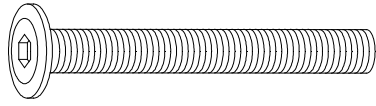
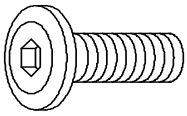
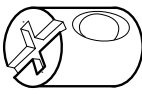
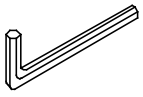
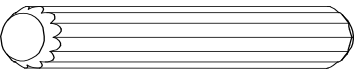
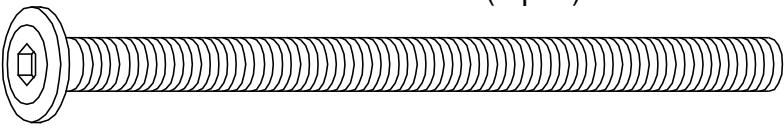
B4589 Parts Identification Sheet

DO NOT assemble crib if parts are defective or missing.
Contact AFG for exchange or keep the original box for return authorization.

~ Crib Assembly Parts

<p>A. Headboard (1 pc)</p> 	<p>B. Rear Left Leg (1 pc)</p> 	<p>C. Rear Right Leg (1 pc)</p> 	<p>D. Left Side Panel (1 pc)</p> 	<p>E. Right Side Panel (1 pc)</p> 	<p>F. Front Left Leg (1 pc)</p> 
<p>G. Front Right Leg (1 pc)</p> 	<p>H. Footboard (1 pc)</p> 	<p>I. Cross Bar (2 pcs)</p> 	<p>J. Mattress Support (1 pc)</p> 	<p>K. Guard Rail (1 pc)</p> 	

~ Crib Assembly Hardware

<p>1. Bolt 1/4" x 3" (12 pcs)</p> 		<p>2. Bolt 1/4" x 1-5/8" (4 pcs)</p> 	
<p>3. Bolt 1/4" x 3/4" (4 pcs)</p> 	<p>4. Barrel Nut 3/8" x 1/2" (20 pcs)</p> 	<p>5. Wrench (1 pc)</p> 	
<p>6. Dowel 5/16" x 1-5/8" (6 pcs)</p> 		<p>7. Bolt 3/8" x 3-3/8" (8 pcs)</p> 	

FLATHEAD SCREWDRIVER  (NOT INCLUDED)