



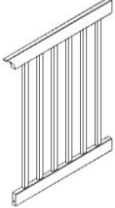
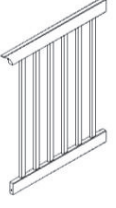
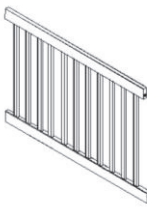
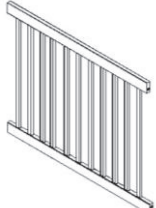

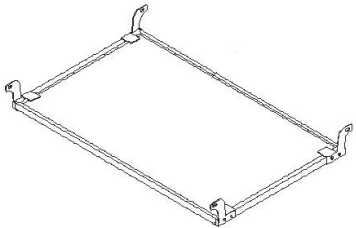


X8018 Crib Parts Identification Sheet

DO NOT assemble crib if parts and hardware are defective or missing.
Contact AFG for exchange or keep the original box for return authorization.

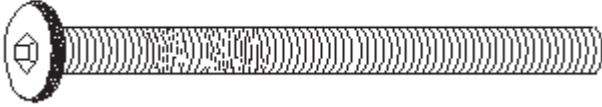
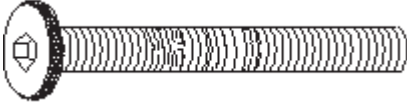
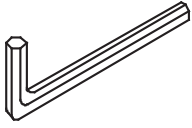
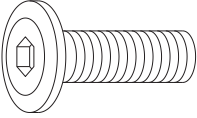
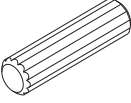
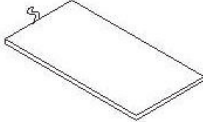
~ Crib Assembly Parts

<p>A. Front Left Leg (1 pc)</p> 	<p>B. Front Right Leg (1 pc)</p> 	<p>C. Rear Left Leg (1 pc)</p> 	<p>D. Rear Right Leg (1 pc)</p> 
<p>E. Left Side Panel (1 pc)</p> 	<p>F. Right Side Panel (1 pc)</p> 	<p>G. Stationary Side (1 pc)</p> 	<p>H. Headboard (1 pc)</p> 
<p>I. Cross Bars (2 pcs)</p> 		<p>J. Mattress Support (1 pc)</p> 	

X8018 Crib Hardware Identification Sheet

DO NOT assemble crib if parts and hardware are defective or missing.
Contact AFG for exchange or keep the original box for return authorization.

~ Crib Assembly Hardware

Item #	Fittings	Qty
1. Bolts 1/4" x 3"		(8 pcs)
2. Bolts 1/4" x 2"		(12 pcs)
3. Wrench		(1 pc)
4. Bolts 1/4" x 3/4"		(4 pcs)
5. Dowels		(8 pcs)
6. Mattress Pad		(1 pc)