



# Alice Baby Crib

Model No.: C4689

Po #:

Serial #:



## **⚠ WARNING:**

**READ ALL WARNING & SAFETY INSTRUCTIONS BEFORE ASSEMBLING CRIB. KEEP INSTRUCTIONS WITH CRIB FOR FUTURE USE.**

First remove hardware from box and sort by size. Check to see that all hardware and wooden pieces are present before assembling.

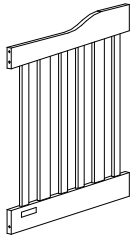


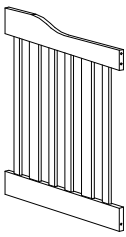


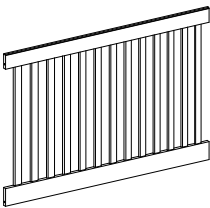
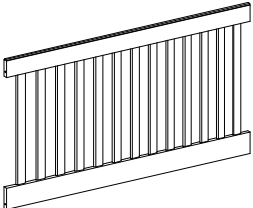
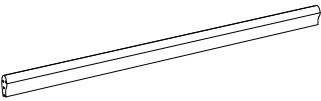
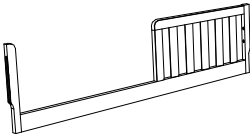
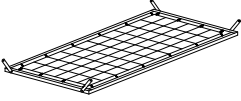
Follow instructions listed below in the proper sequence as numbered to assure fast, easy and correct assembly.

## **⚠ WARNING!**

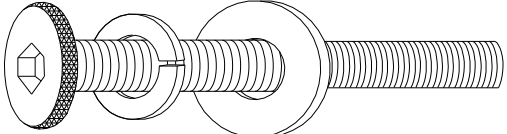
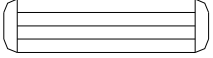
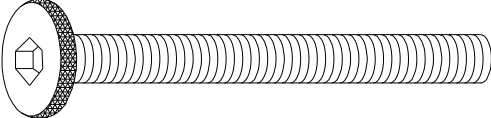
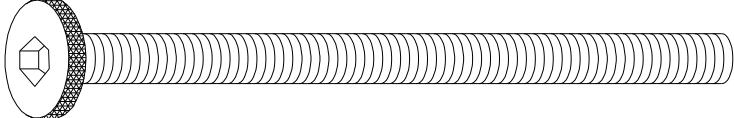

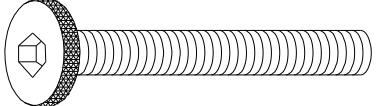
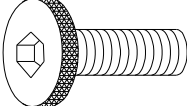

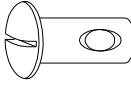
1. DO NOT attempt to repair or modify parts with cracks or defects. Please contact us for immediate replacement.
2. This product is for home use and is not intended for use in schools, day care centers or other commercial establishments.
3. Must be assembled by a capable adult.

### ◆ PARTS IDENTIFICATION

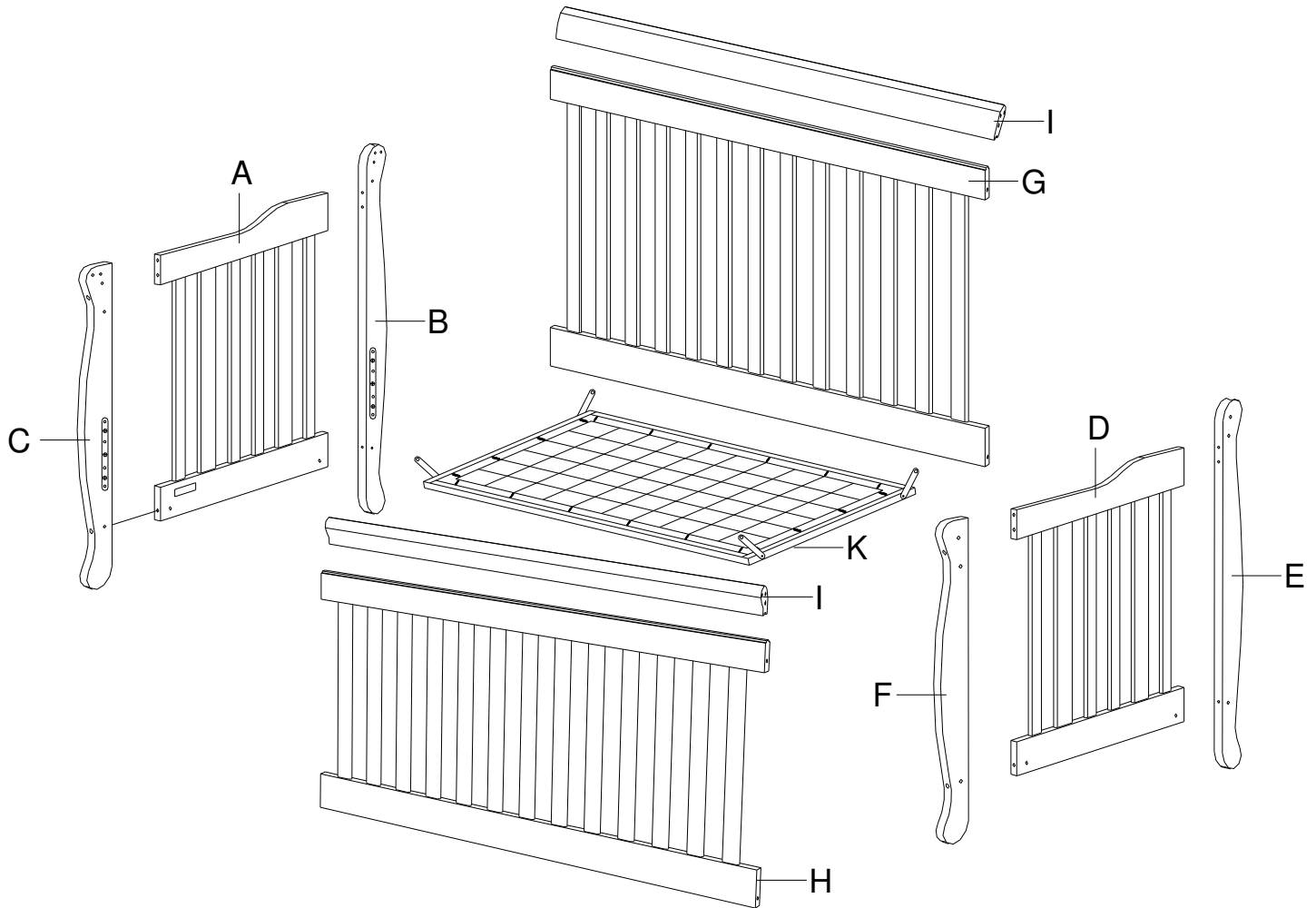
**(Do not assemble crib if parts are defective. Please contact AFG for exchange or keep the original box for return authorization.)**

<p>A. Left Side Panel (1 pc)</p> 	<p>B. Rear Left Leg (1 pc)</p> 	<p>C. Front Left Leg (1 pc)</p> 	<p>D. Right Side Panel (1 pc)</p> 
<p>E. Rear Right Leg (1 pc)</p> 	<p>F. Front Right Leg (1 pc)</p> 	<p>G. Headboard (1 pc)</p> 	<p>H. Footboard (1 pc)</p> 
<p>I. Cross Bar (2 pcs)</p> 	<p>J. Guard Rail (1 pc)</p> 	<p>K. Mattress Support (1 pc)</p> 	

◆ **HARDWARE**

<p>1. Bolt 1/4" x 2-1/2" (8 pcs)</p> 	<p>2. Dowel 8mm x 30mm (12 pcs)</p> 	
<p>3. Bolt 1/4" x 2-1/4" (4 pcs)</p> 	<p>4. Bolt 1/4" x 4" (8 pcs)</p> 	
<p>5. Barrel Nut 1/4" x 15mm (4 pcs)</p> 	<p>6. Bolt 6mm x 1-3/4" (4 pcs)</p> 	<p>7. Bolt 6mm x 3/4" (16 pcs)</p> 
<p>8. Wrench (1 pc)</p> 	<p>9. Barrel Nut 1/4" x 20 mm (12 pcs)</p> 	

**4689 Parts Diagram**



**Note:** Please follow this Parts Diagram to make sure that all crib parts are assembled in the correct position.