



Nadia Changing

Model No.:S3353
PO#:
Serial#:



WARNING!

READ ALL INSTRUCTIONS BEFORE ASSEMBLING THE CHANGING TABLE; KEEP THE INSTRUCTIONS FOR FUTURE USE.

ASSEMBLY TIPS:

- Do not use the changing table if it is damaged or broken.
- Always secure the child with the safety strap.
- This product is for home use and is not intended to use in schools, day care centers or other commercial establishments.
- Must be assembled by a capable adult.
- Changer can only retain a child with body weight up to 20 lbs.
- Remove hardware from box and sort by size check to see that all hardware and wooden pieces are present before assembling.
- Follow instructions listed below in the proper sequence as numbered to assure fast, easy and correct assembly.

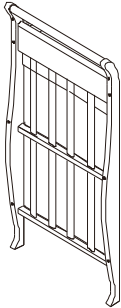
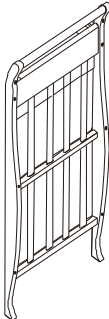
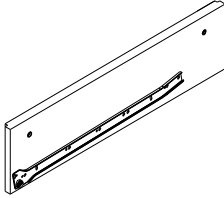
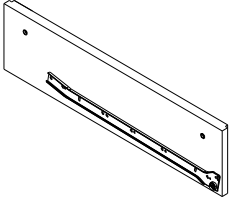
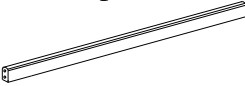
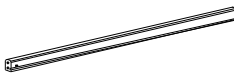
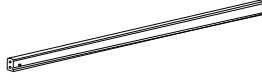


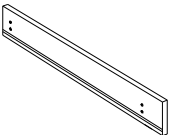
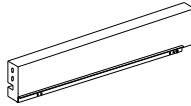
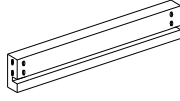
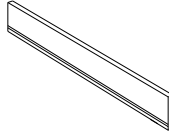
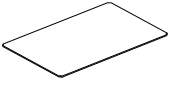


WARNING!

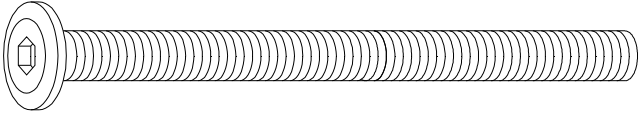
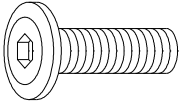
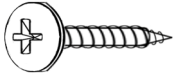
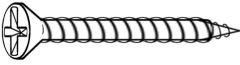

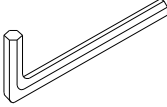

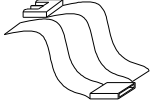
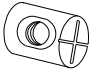
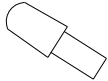
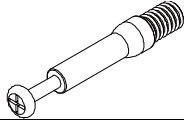
FALL HAZARD-

To prevent death or serious injury, always keep child within arm's reach.

◆ **PARTS IDENTIFICATION (Do not assemble crib if parts are defective, contact AFG for exchange or keep the original box for return authorization.)**

<p>A. Left end Panel (1 pcs)</p> 	<p>B. Right end Panel (1 pcs)</p> 	<p>C. Left Track Panel (1 pcs)</p> 	<p>D. Right Track Panel (1 pcs)</p> 	
<p>E. Security Rail (2 pcs)</p> 	<p>F. Top Shelf Rail (2 pcs)</p> 	<p>G. Lower Shelf Rail (4 pcs)</p> 	<p>H. Shelf Board (1 pcs)</p> 	<p>I. Drawer Bottom (1 pcs)</p> 
<p>J. Drawer Front (1 pcs)</p> 	<p>K. Drawer Right (1 pcs)</p> 	<p>L. Drawer Left (1 pcs)</p> 	<p>M. Drawer Back (1 pcs)</p> 	<p>N. Shelf Board (2 pcs)</p> 

◆ **HARDWARE**

<p>1. Bolt 1/4" x 3" (16 pcs)</p> 	<p>2. Bolt 1/4" x 1" (6 pcs)</p> 	<p>3. Screw 5/32" x 5/8" (10 pcs)</p> 		
<p>4. Screw 5/32" x 1-1/4" (4 pcs)</p> 	<p>5. Support bracket (4 pcs)</p> 	<p>6. Wrench (1 pcs)</p> 	<p>7. Pad (1 pcs)</p> 	<p>8. Safety strap (1 pcs)</p> 
<p>9. Barrel Nut (16 pcs)</p> 	<p>10. Pieces Dowel (16 pcs)</p> 	<p>11. Cam Pin (4 pcs)</p> 	<p>12. Cam Lock (4 pcs)</p> 