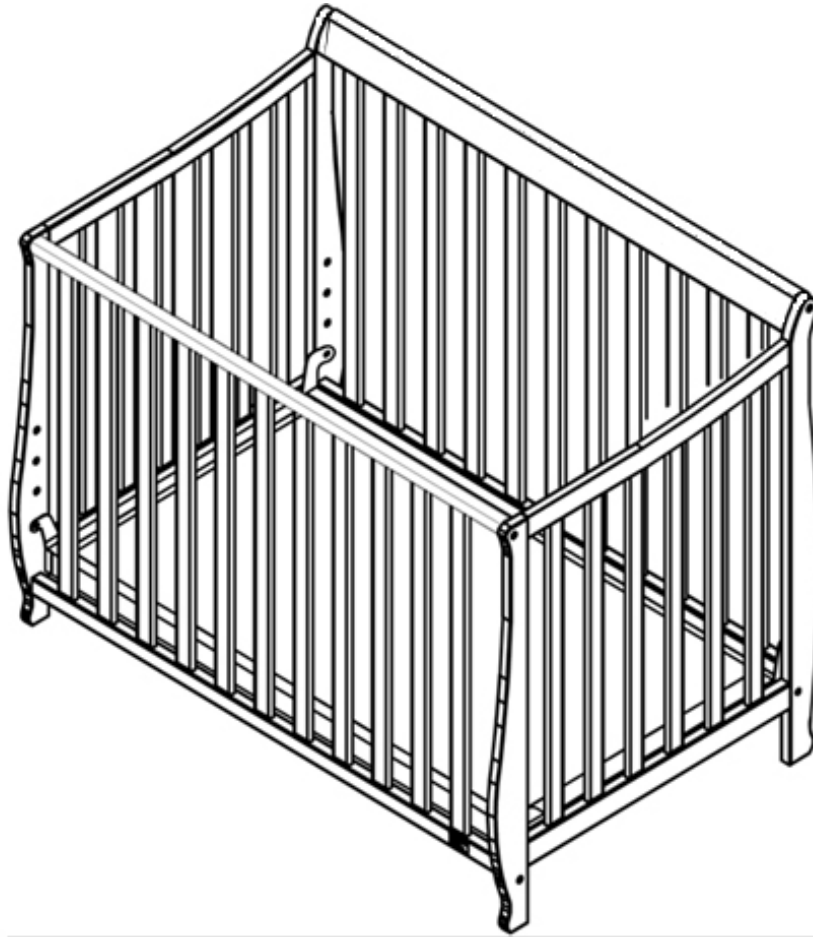


LH8028

3 In 1 Mini Crib



THIS PRODUCT IS NOT INTENDED FOR INSTITUTIONAL OR COMMERCIAL USE.

If you have any questions or missing parts, please contact us. **DO NOT** return product parts to the store where it was purchased before contacting AFG Customer Service.

AFG Customer Service:

E-mail: service@afgbabyfurniture.com

Tel: (323) 722-6268

Product Assistance Procedures

AFG International Products strives to ensure that our customers are receiving a quality piece of furniture. We want our customers to be satisfied with using our products for years to come. In the event that you need assistance or have any inquiries regarding our products, please feel free to contact us with the information below.

Customer Service [Email: service@afgbabyfurniture.com](mailto:service@afgbabyfurniture.com)

Customer Service Phone Number: 1.323.722.6268

To request replacement parts, please send an email to our customer service with the following information and we will do our best to assist you.

1. Proof of Purchase*
2. Item Number of the Product or Identification Sticker**
3. Part Letter or Number of the Replacement Part
4. Quantity
5. Your Shipping Address
6. Description of Your Problem

Please also provide pictures of the issue whenever possible. This will help us understand and assist you with your problem.

*Acceptable Proof of Purchase includes, but not limited to, your Online Purchase Confirmation Email, a screenshot of the purchase history of the online retailer, or a receipt from your local store.

Our warranty extends only to the original purchaser and is non transferable. Warranty is valid only when the proof of purchase can be provided.

Please retain a copy of your purchase records for future inquires.

**All of our baby products come with an identification sticker. This is a white sticker that contains all the product information of the item.

For cribs, the identification sticker is generally located near the bottom of the crib's side rails, the toddler guardrail, or the stabilizer bar.

For changers, the identification sticker is located on the top panel of the changing unit.

Under no circumstances should you remove any warning labels from the product. These labels are meant to be permanent and removing them may damage the wood and void your warranty.

WARNING:

READ ALL WARNING & SAFETY INSTRUCTIONS BEFORE ASSEMBLING CRIB. KEEP INSTRUCTIONS WITH CRIB FOR FUTURE USE.

First remove hardware from box and sort by size. Check to see that all hardware and wooden pieces are present before assembling.

Follow instructions listed below in the proper sequence as numbered to assure fast, easy and correct assembly.

DO NOT use this crib if the enclosed or attached instructions cannot be strictly adhered to.

WARNING:

- DO NOT attempt to repair or modify parts with cracks or defects. Please contact us for immediate replacement.
- This product is for home use and is not intended for use in schools, day care centers or other commercial establishments.
- Must be assembled by a capable adult.
- **CHOKING HAZARDS:** DO NOT put small / loose components on top of the changing table unit where baby could reach.

Crib Warnings

WARNING

Failure to follow these warnings and the assembly instructions could result in serious injury or death.

- DO NOT use a water mattress with this crib.
- Strings can cause strangulation! Never place items with a string around a child's neck such as hood strings or pacifier cords. Never suspend strings over product or attach strings to toys.
- Discontinue use of the product when child is able to climb out or reaches the height of 35 in. (890mm). The child should be placed in a youth or regular bed.
- Never place product near a window where cords from blinds or drapes can strangle a child..
- Always provide the supervision necessary for the continued safety of your child. When used for playing, never leave child unattended.
- To reduce the risk of SIDS, pediatricians recommend healthy infants be placed on their back to sleep, unless otherwise advised by your physician.
- Never use the product if there are any loose or missing fasteners, loose joints, broken parts, or torn mesh or fabric. Check before assembly and periodically during use. Contact AFG for replacement parts. Never substitute parts.
- If refinishing, use a non-toxic finish specified for children's products.
- Keep wall decorations, especially those with strings, completely out of a child's reach.
- Check fasteners periodically. Do not over tighten. This may cause distortion or breakage.
- Never use plastic shipping bags or other plastic films as mattress covers. They are not sold and intended for that purpose and can cause suffocation.
- Use the crib as a crib, not as a play yard. Remember that a crib is not a substitute for a parent's supervision.
- Parents should ensure a safe environment for their child by checking the crib regularly before placing the child in the product. Please make sure that every component is properly and securely in place.
- Remove clear protective wrapping before using crib.
- When folding, unfolding or adjusting the crib, keep child away from moving parts.

- Mattress is removable and washable. Clean other parts with household soap or mild detergent. Periodically check for loose screws, worn parts, torn material or loose stitching. Tighten or replace parts as needed.
- All four mattress support brackets must be at the same height position.
- The product, including side rails, must be fully erected prior to use.
- Child can become entrapped and die when improvised netting or covers are placed on top of product. Never add such items to confine child in product.

WARNING!

- Infants can suffocate on soft bedding
- **NEVER** add a pillow, comforter.
- **NEVER** place additional padding under an infant.
- **NEVER LEAVE INFANT IN PRODUCT WITH SIDES DOWN.** Infant may roll into space between pad and loose mesh side causing suffocation.
- **Infant can suffocate in gaps between a mattress too small or too thick and product sides.**
- **Always attach securely. If is not secured, child in crib can lift or shift and get neck trapped between frame.**
- **Never leave in place when child is in crib.**

CAUTION!

USE ONLY MATTRESS /PAD PROVIDED BY MANUFACTURER (WHICH MUST BE AT LEAST 37 INCHES LONG BY 23 INCHES WIDE AND NOT MORE THAN 5 INCHES THICK).

Strangulation Hazard

- Strings can cause strangulation! Do not place items with a string around a child's neck, such as hood strings or pacifier cord. Do not suspend strings over a crib or attach strings to toys.
- To help prevent strangulation, tighten all fasteners. A child can trap parts of the body or clothing on loose fasteners.
- **DO NOT** place crib near windows where cords from blinds or drapes may strangle a child.
- Keep wall decorations, especially those with strings, completely out of a child's reach.

Fall Hazard

- When child is able to pull to standing position, set mattress to lowest position and remove bumper pads, large toys and other objects that could serve as steps for climbing out.
- Stop using crib when child begins to climb out or reaches the height of 35 in. (89cm).
- Check this product for damaged hardware, loose joints, loose bolts or other fasteners, missing parts, or sharp edges before and after assembly and frequently during use. Securely tighten loose bolts and other fasteners. **DO NOT** use crib if any parts are missing, damaged or broken. Contact (AFG International Products Inc.) for replacement parts and instructional literature if needed. **DO NOT** substitute parts.



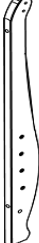


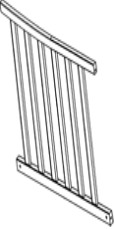
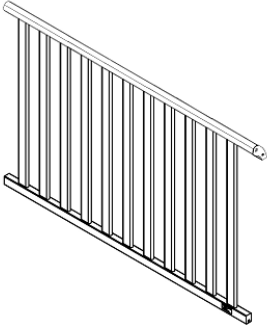

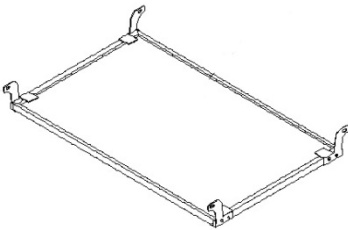
Storage: The crib must be kept in a dry and clean area. Solid wood tends to exchange moisture with the surrounding air and reacts to major changes in temperature and humidity. It is best to place your furniture away from heating or air-conditioning vents. Direct exposure to sunlight can discolor the wood, so do not place your product where it will receive prolonged sunlight exposure.

Care and Cleaning: Do not scratch or chip the finish. Do not use abrasive chemicals for cleaning. Clean with mild soap on a soft rag. Rinse and dry thoroughly. If you choose to refinish this furniture, be sure to use only a non-toxic finish specified for children's products.

LH8028 Mini Crib Parts Identification Sheet

DO NOT assemble crib if parts and hardware are defective or missing.
Contact AFG for exchange or keep the original box for return authorization.

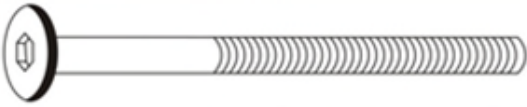


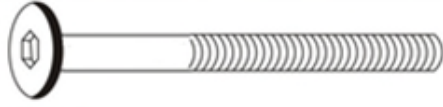



~ Crib Assembly Parts

<p>A. Front Left Leg (1 pc)</p> 	<p>B. Front Right Leg (1 pc)</p> 	<p>C. Rear Left Leg (1 pc)</p> 	<p>D. Rear Right Leg (1 pc)</p> 
<p>E. Left Side Panel (1 pc)</p> 	<p>F. Right Side Panel (1 pc)</p> 	<p>G. Stationary Side (1 pc)</p> 	<p>H. Headboard (1 pc)</p> 
<p>J. Mattress Support (1 pc)</p> 			

LH8028 Mini Crib Hardware Identification Sheet

DO NOT assemble crib if parts and hardware are defective or missing.
Contact AFG for exchange or keep the original box for return authorization.

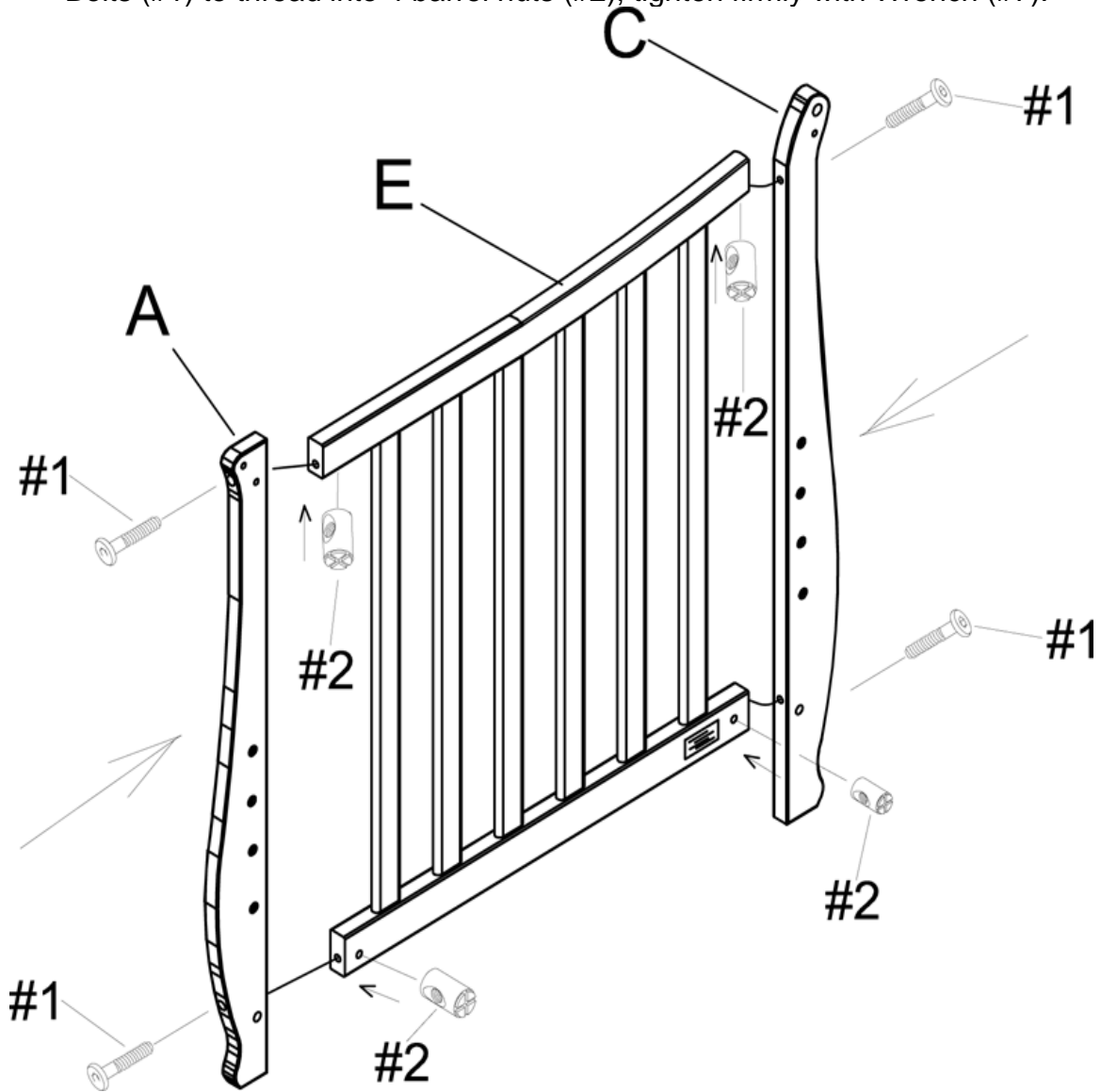
~ Crib Assembly Hardware

Item #	Fittings	Qty
1. Bolt M6 x 80mm		8 pcs
2. Barrel Nut X16mm		12 pcs
3. Dowel 8 x 30mm		4 pcs
4. Bolt M6 x 60mm		8 pcs
5. Mattress pad		1 pc
6. Bolt M6 x 18mm		4 pcs
7. M4 Allen Wrench		1 pc

LH8028 Mini Crib Assembly Sheet

STEP 1:

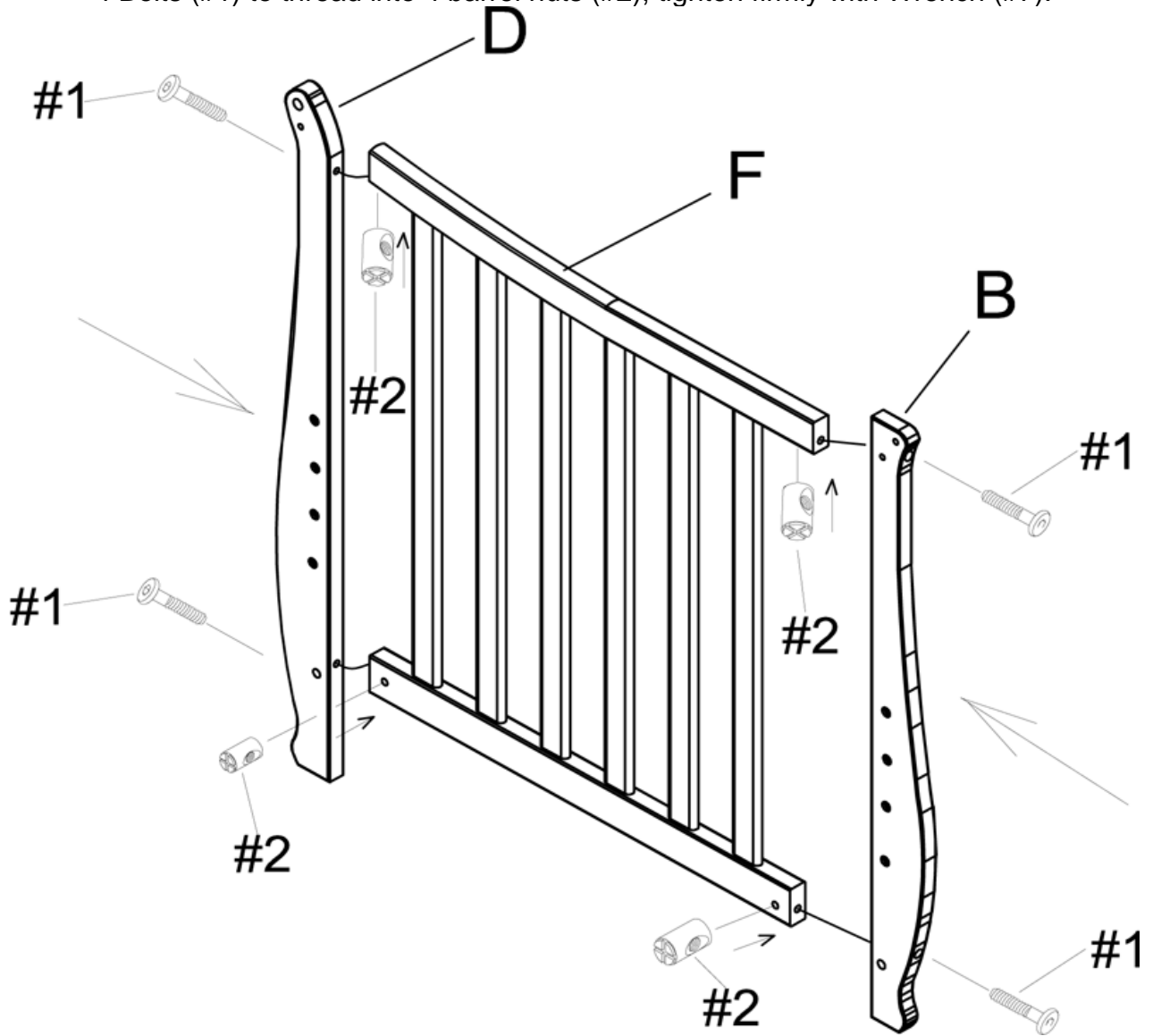
Attach Front Left Leg (A) and Rear Left Leg (C) to Left Side Panel (E) by using 4 Bolts (#1) to thread into 4 barrel nuts (#2), tighten firmly with Wrench (#7).



LH8028 Mini Crib Assembly Sheet

STEP 2:

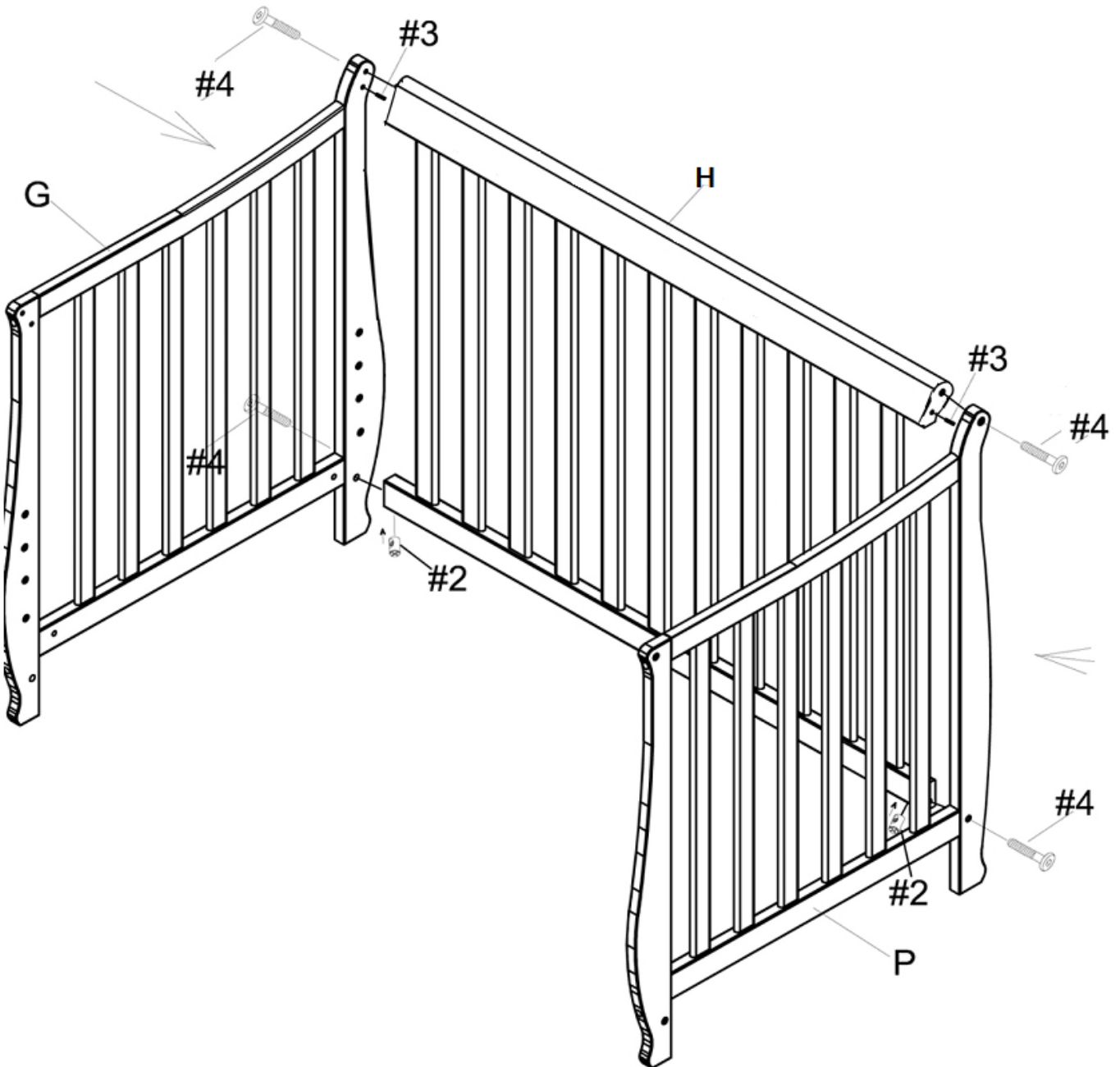
Attach Front Right Leg (B) and Rear Right Leg (A) to Left Side Panel (F) by using 4 Bolts (#1) to thread into 4 barrel nuts (#2), tighten firmly with Wrench (#7).



LH8028 Mini Crib Assembly Sheet

STEP 3:

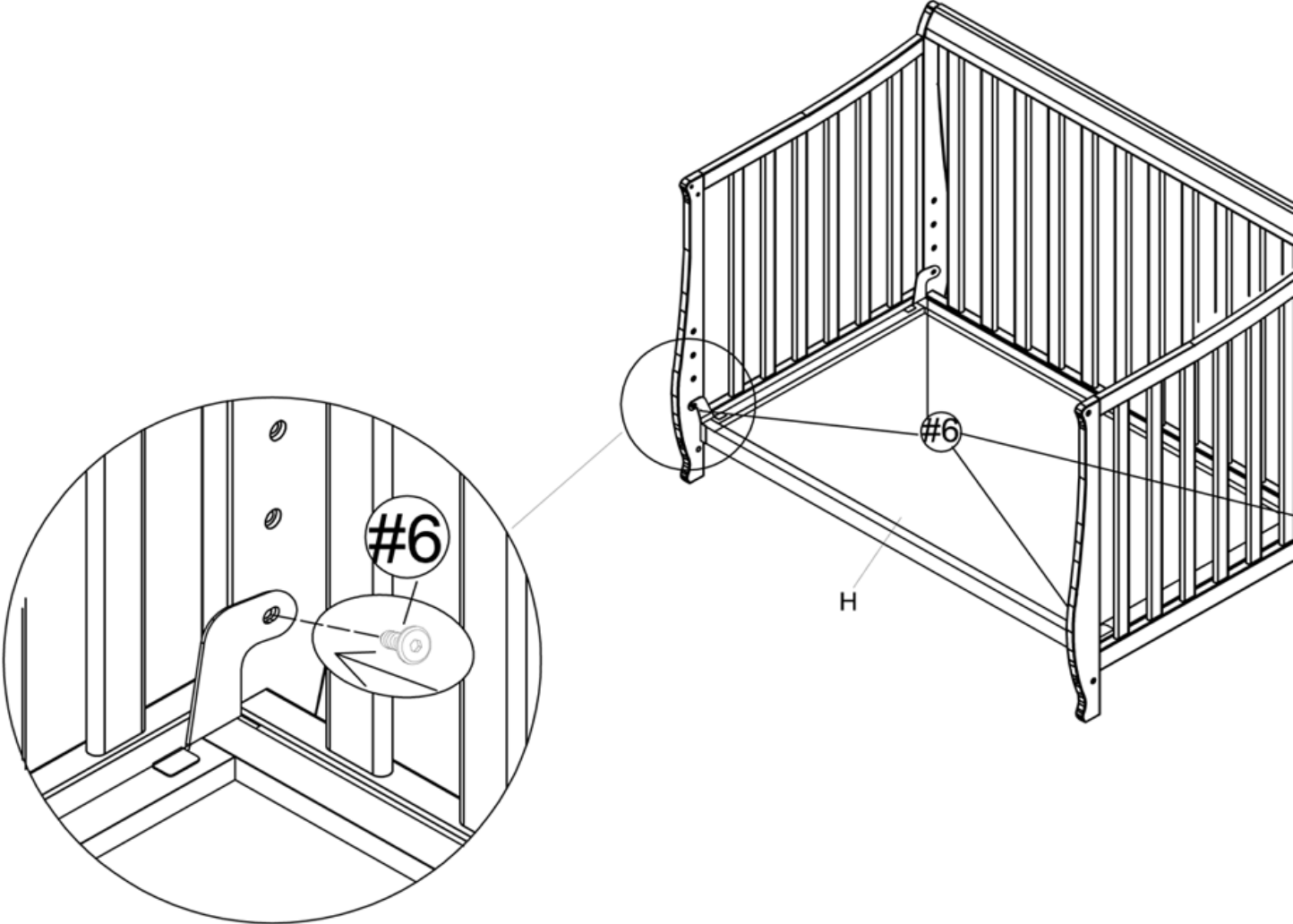
- a. Insert 2 Dowels (#3) on each end of top rail Headboard (H).
- b. Attach Headboard (H) to top rail Head board (H), and insert 2 bolts (#4) to each end of top rail Headboard (H), tighten firmly with Wrench (#7).
- c. Insert 2 Barrel Nuts (#4) to bottom rail of Headboard (H), and insert 2 bolts (#4) to each end of bottom rail of Head board (H), tighten firmly with Wrench (#7).



LH8028 Mini Crib Assembly Sheet

STEP 4:

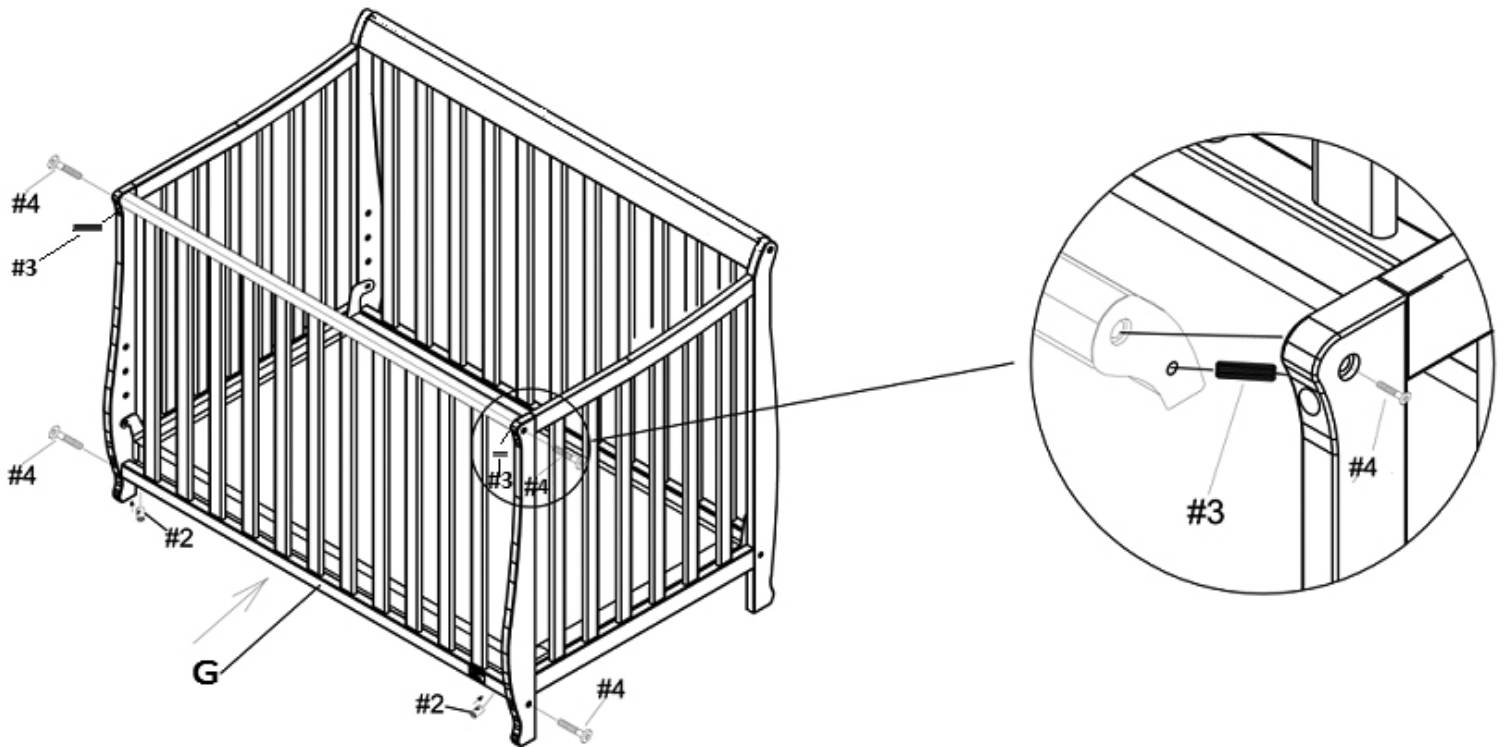
Use 4 bolts (#6) to attach brackets on the mattress support (J) to the legs at an **even level** on all sides, tighten firmly by using with Wrench (#7).



LH8028 Mini Crib Assembly Sheet

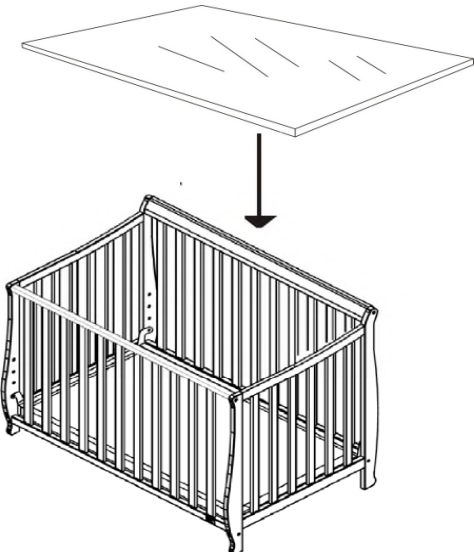
STEP 5:

- a. Insert 2 Dowels (#3) on each end of top rail of stationary side (G).
- b. Attach Front leg to top rail of stationary side (G), and insert 2 bolts (#4) to each end of top rail of stationary side (G). Tighten firmly with Wrench (#7).
- c. Insert 2 Barrel Nuts (#4) to bottom rail of stationary side (G), and insert 2 bolts (#4) to each end of bottom rail of stationary side (G), tighten firmly with Wrench (#7).



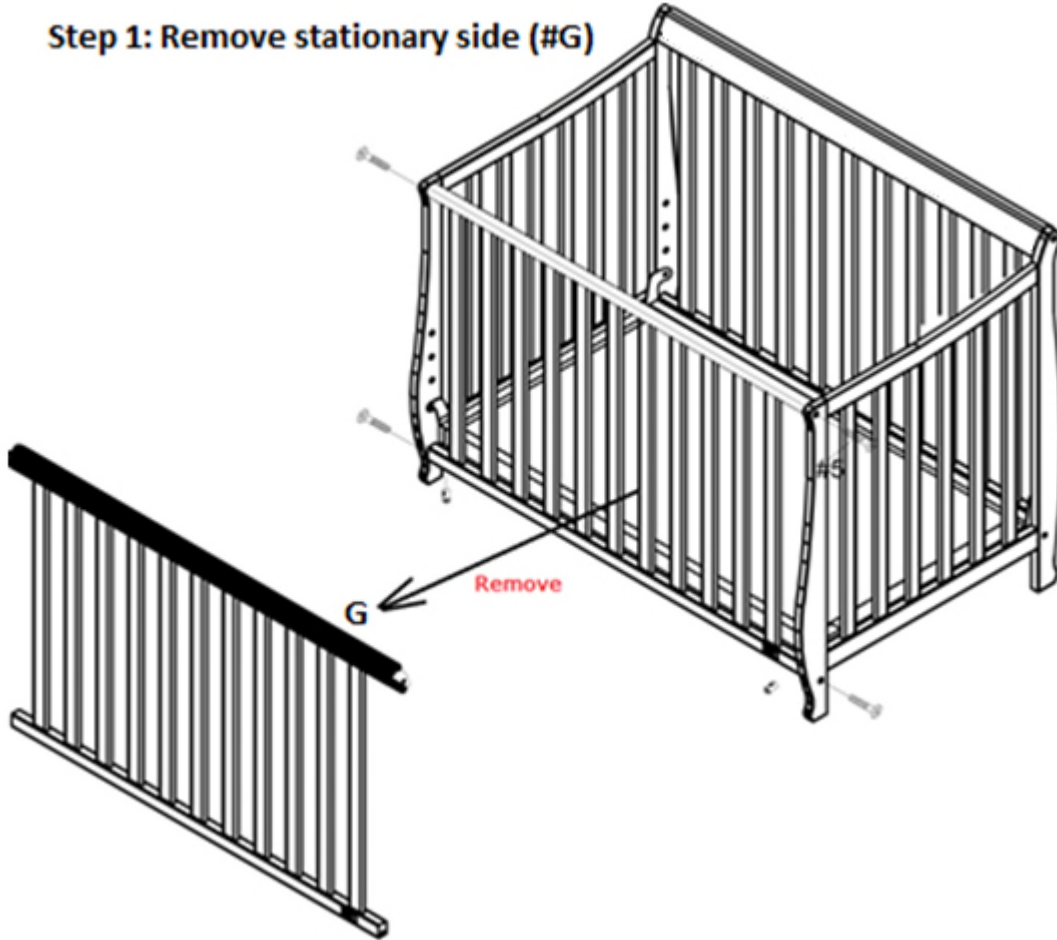
STEP 6: Completed

Place the Mattress Pad (#5) on top of the mattress support.

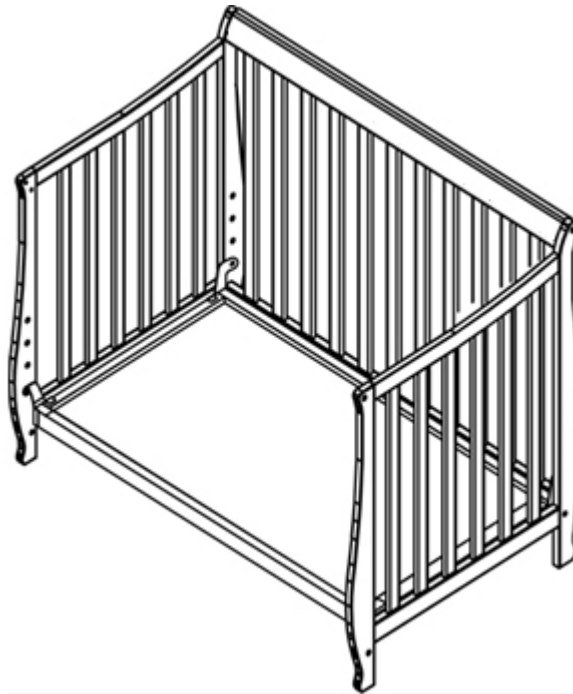


LH8028 Daybed Assembly Sheet

Step 1: Remove stationary side (#G)



Daybed Completed



LH8028 TWIN SIZE Bed Assembly Sheet

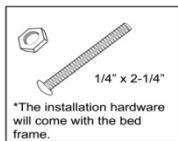
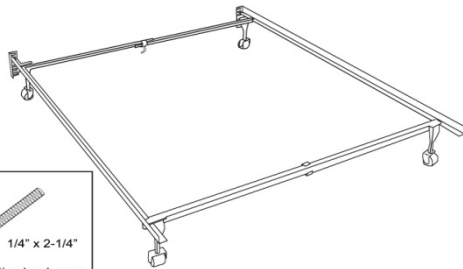
(Metal not included) *Metal frames can be purchased at any furniture store.

TWIN SIZE BED ASSEMBLY



- Attach the Rear Left Leg (C) and Rear Right Leg (D) to Headboard (H) . use this as the headboard for the full size bed.
- Attach Front Left Leg (A) and Front Right Leg (B) to Footboard (G) ,this will be the footboard.
- Using the bottom holes of the headboard and footboard, assemble the headboard and footboard together with mattress support metal-frame rails.

***Metal frames can be purchased at any furniture store.**



Safety Tips for Assembling and Re-assembling Cribs

- Parents should not use any crib with missing, broken or loose hardware parts. Crib slats or spindles should be spaced no more than 2-3/8" apart, and none should be loose or missing. NEVER use a crib with corner posts over 1/16" of an inch above the end panels (unless they are over 16" high for a canopy).
- Check this product for damaged hardware, loose joints, loose bolts or other fasteners, missing parts, or sharp edges before and after assembly and frequently during use. Securely tighten loose bolts and other fasteners. DO NOT use crib if any parts are missing, damaged or broken. Contact (AFG International Products Inc.) for replacement parts and instructional literature if needed. DO NOT substitute parts.
- Never place infants to sleep on pillows, sofa cushions, adult beds, waterbeds, beanbags, or any other surface not specifically designed for infant sleep.
- Always check all sides and corners of the crib to assure proper assembly with no openings that may entrap a child. The crib mattress should fit snugly with no more than two fingers width, one-inch, between the edge of the mattress and the crib side. Otherwise, the baby can get trapped between the mattress and the side of the crib.
- Do not try to repair any side of the crib without manufacturer-approved hardware.
- Putting a broken side up against the wall is not a solution and can often make the situation worse.
- When re-assembling the crib for your second child, please keep in mind that the screw holes will need to be filled in order for the screws to grip to the wood. Talk to your local hardware store or lumberyard about how to do it properly.

One year limited warranty

AFG International Products Inc. © wants you to be satisfied with any product that bears the AFG name or logo. We will provide promptly, at the request of the retailer, and without charge, any missing parts that have been reported, with proper description, within 7 days of the purchase of the products. Our warranty guarantees optimal workmanship and lack of significant defects. The product warranty lasts a year from the date of your purchase. Please keep the original receipt so that we may process your one year limited warranty request. This warranty only covers new units with original packaging. Ownership of the warranty is non-transferable. The warranty does not cover any used, second-hand, or demo models. Our obligation under this warranty is to replace or repair the merchandise, at our option, free of charge. This warranty does not cover any damaged or defective parts that result from normal wear and tear, abuse, negligence, improper use or alteration to the finish design, and hardware. Specific rights issued by this warranty may vary from state to state. Some states do not allow limitations on how long implied warranties last. DO NOT return products to the store once a product is used, it cannot be resold and the materials and energy invested in the product would go to waste. In the event that AFG determines that a defect that may result from customer abuse or misuse, we will contact you with information about services and methods to prevent occurrences. We strongly recommend you register your product with our company by filling out registration and mailing it back to us. This ensures you are up-to-date with our products' maintenance and information.

This warranty does not cover damage caused by accident, misuse or any use other than as intended and described in this assembly sheet or damage resulting from failure to maintain and clean this product as specified in this assembly sheet. This warranty applies only to the original purchaser of the AFG International Products Inc. product.

CAUTION! Safety Tips for Use of Cribs

Many older cribs, including secondhand or second use cribs, may not meet all current safety standards. For baby's safety, even if you are on a tight budget, you should not purchase a used crib at a garage sale or accept a hand-me-down that does not meet the most recent Federal and ASTM standards.

Thank you for choosing AFG.

MADE IN VIETNAM AFG ©